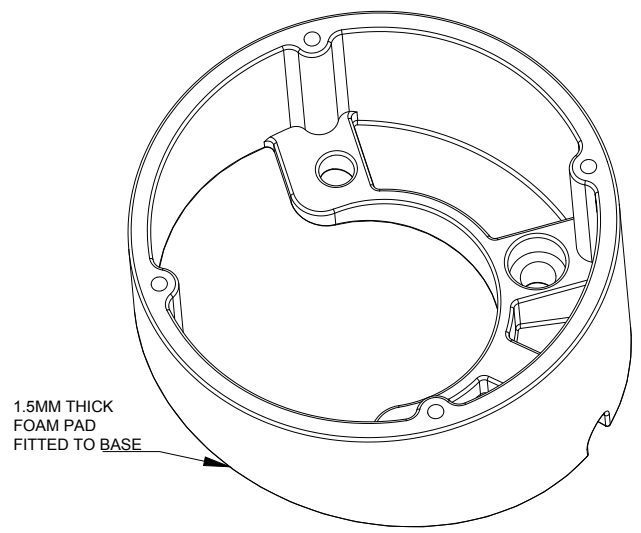
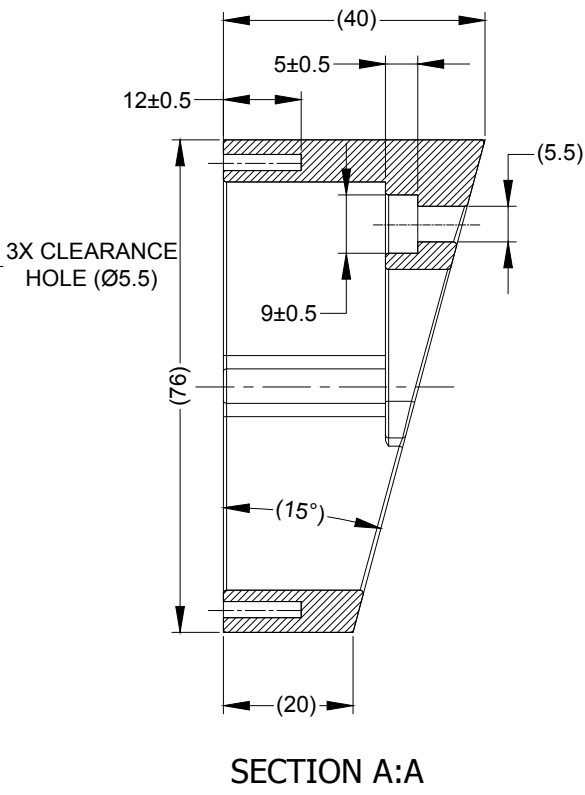
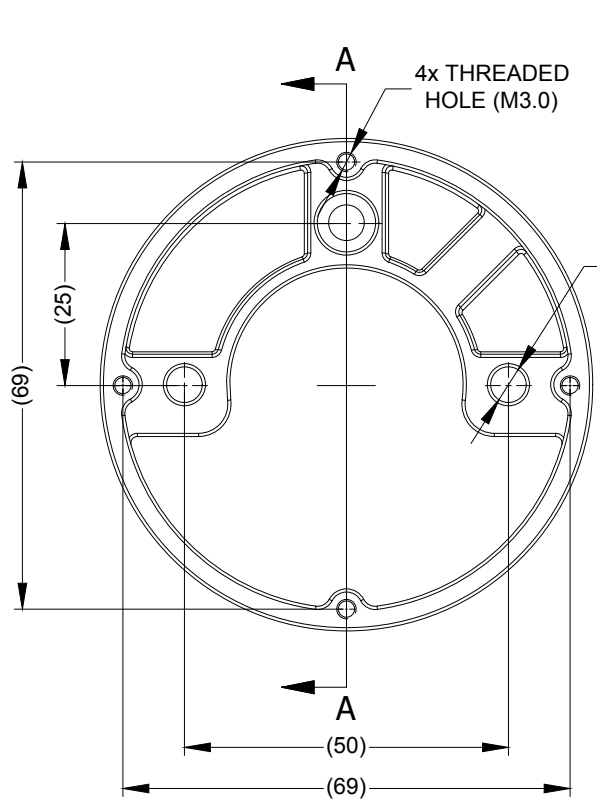


<b>Revision Notes.</b>				
R1 ITEM CHANGED FROM MACHINED TO CAST PART. DIMENSIONS UPDATED REF CR-A426				
APA: K. WONG	Drawn: R.PENTLEY.	Checked: R. BATES	Approved: B. JOHN	Date: 26/04/16



- NOTES:
1. FINISH: BLACK POWDER COAT.
  2. MATERIAL: ALUMINUM ADC12
  3. TO BE SUPPLIED IN CLEAR PLASTIC BAG.
  4. FOR GIFT BOX LABEL REFER TO LATEST REVISION OF DRAWING BE-003246-XX-15.
  5. TO BE SUPPLIED WITH 4x M3x10mm MOUNTING SCREWS FOR MD-50, NOT SUPPLIED WITH VEHICLE FIXINGS.
  6. 1.5MM THICK FOAM GASKET FITTED TO BASE

**PROPRIETARY NOTICE**  
 THIS DESIGN AND TECHNICAL INFORMATION APPEARING ON THIS DRAWING IS THE PROPERTY OF BRIGADE ELECTRONICS, AND IS DISCLOSED IN CONFIDENCE. IT IS NOT TO BE COPIED, REPRODUCED, REVEALED TO OR EXPROPRIATED BY OTHERS, EITHER IN WHOLE OR IN PART WITHOUT THE EXPRESS WRITTEN CONSENT OF BRIGADE ELECTRONICS.



Assembly Pl Approval K.WONG	Approved by B.JOHN	Checked by R.BATES	Drawn by L.BRAR
Angle of Projection 	Units mm	Scale N/A	Released 14/10/15
Status RELEASED	Assembly Ref F-HS-AD15MD50-B		
Part No 5004	BE-003243-01-15		